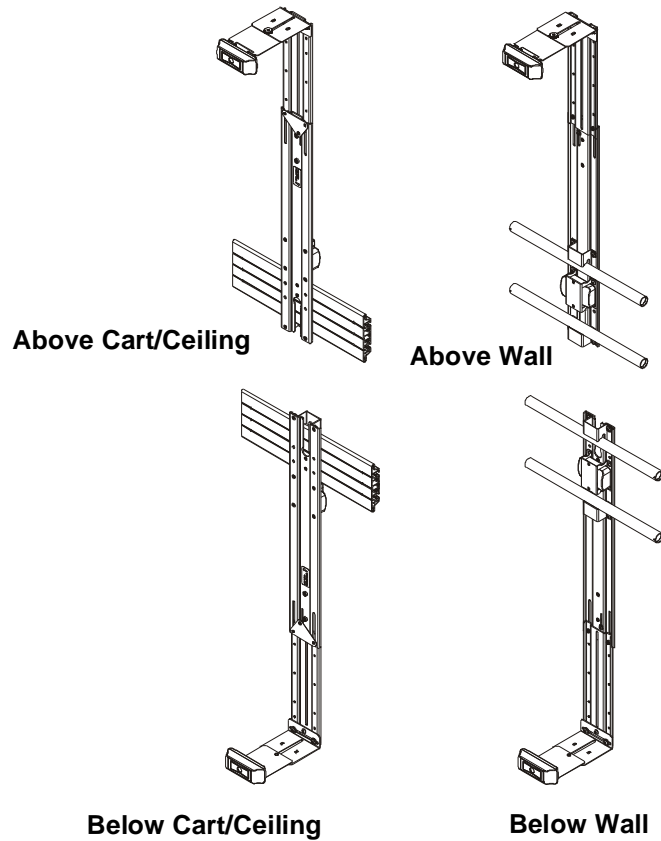

INSTALLATION INSTRUCTIONS




Fusion™ Viewshare Camera Mounting Kits

DISCLAIMER


Milestone AV Technologies and its affiliated corporations and subsidiaries (collectively "Milestone"), intend to make this manual accurate and complete. However, Milestone makes no claim that the information contained herein covers all details, conditions or variations, nor does it provide for every possible contingency in connection with the installation or use of this product. The information contained in this document is subject to change without notice or obligation of any kind. Milestone makes no representation of warranty, expressed or implied, regarding the information contained herein. Milestone assumes no responsibility for accuracy, completeness or sufficiency of the information contained in this document.


Chief® is a registered trademark of Milestone AV Technologies. All rights reserved.


IMPORTANT SAFETY INSTRUCTIONS


 **WARNING:** A WARNING alerts you to the possibility of serious injury or death if you do not follow the instructions.


 **CAUTION:** A CAUTION alerts you to the possibility of damage or destruction of equipment if you do not follow the corresponding instructions.


 **WARNING:** Failure to read, thoroughly understand, and follow all instructions can result in serious personal injury, damage to equipment, or voiding of factory warranty! It is the installer's responsibility to make sure all components are properly assembled and installed using the instructions provided.


 **WARNING:** RISK OF INJURY TO PERSONS! Do not place video equipment such as televisions or computer monitors on FCA810V/VE camera mount surface.

 **WARNING:** Use of this accessory will decrease the weight capacity of the mount to which it is attached by the combined weight of the accessory!

 **WARNING:** Use this mounting system only for its intended use as described in these instructions. Do not use attachments not recommended by the manufacturer.

 **WARNING:** Never operate this mounting system if it is damaged. Return the mounting system to a service center for examination and repair.

 **WARNING:** Do not use this product outdoors.

 **WARNING:** RISK OF INJURY TO PERSONS! Do not use this mounting system to support video equipment such as televisions or computer monitors.

IMPORTANT ! : Make sure the system meets the following requirements.

- Windows® 7, 8, 8.1 or higher
- Mac OS® X 10.7 or higher

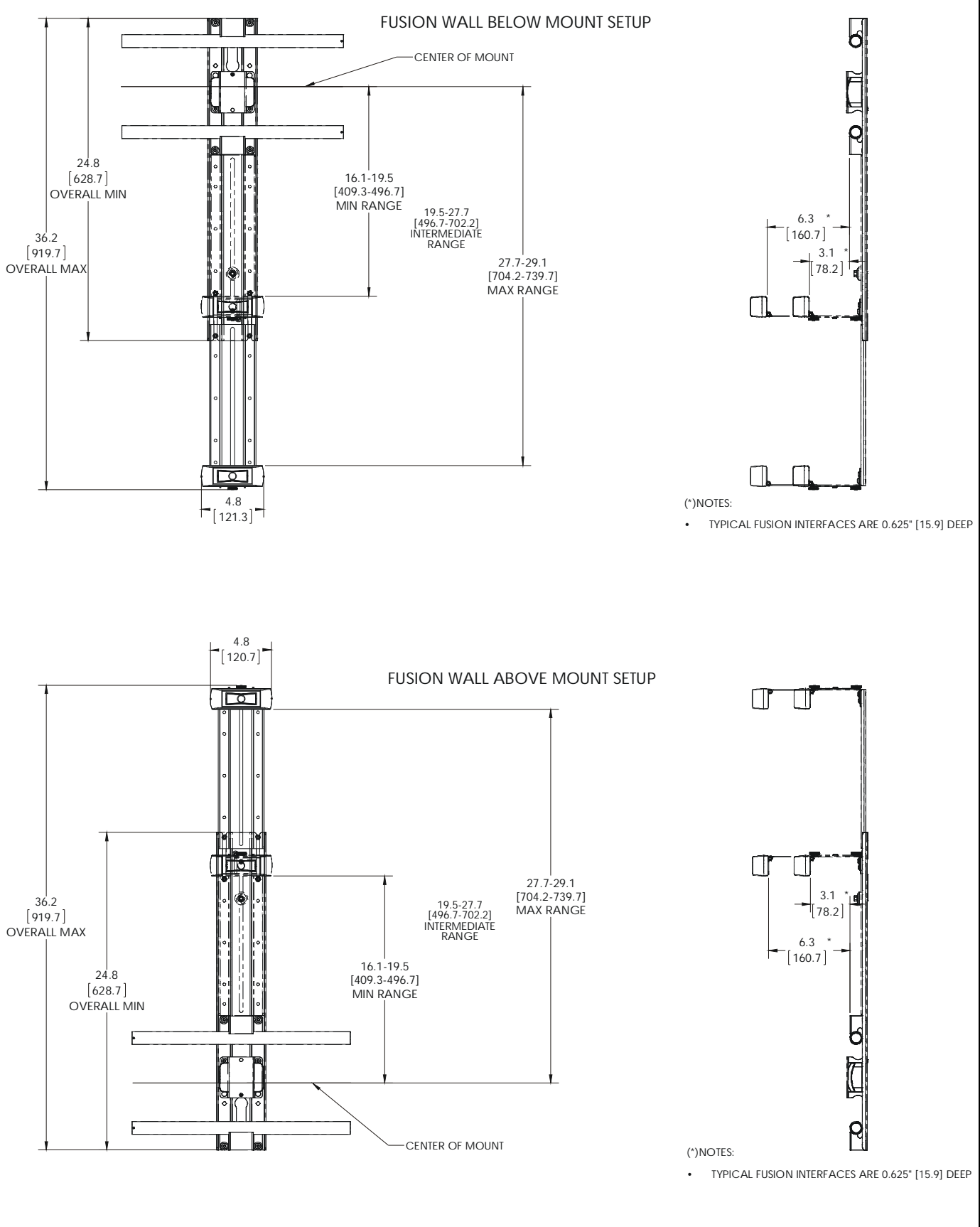
With:

- 2.4GHz Intel® Core 2 Duo Processor
- 2GB RAM or more
- USB 2.0 port (USB 3.0 ready)

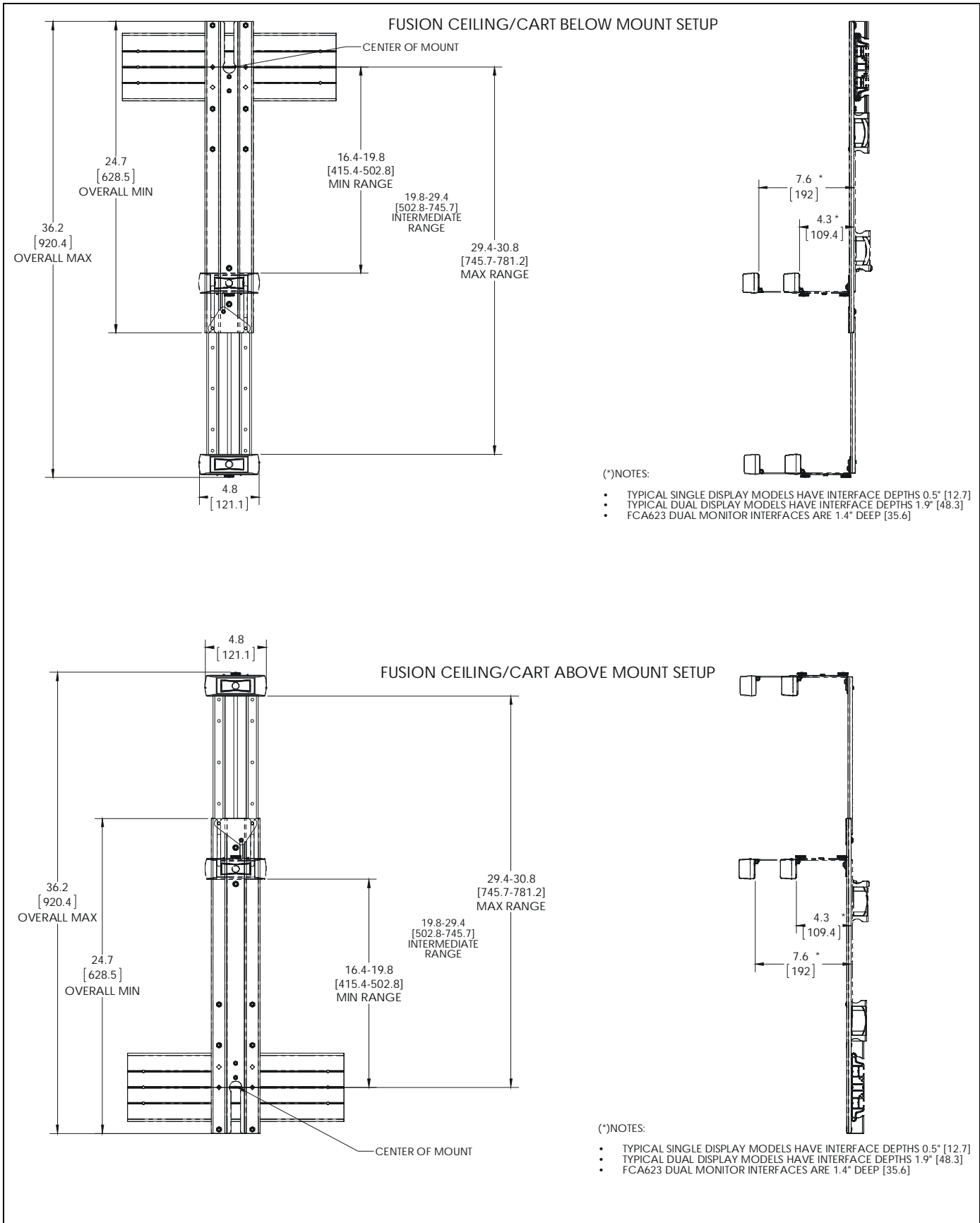
NOTE: Refer to milestone.com for the latest software compatibility requirements.

--SAVE THESE INSTRUCTIONS--

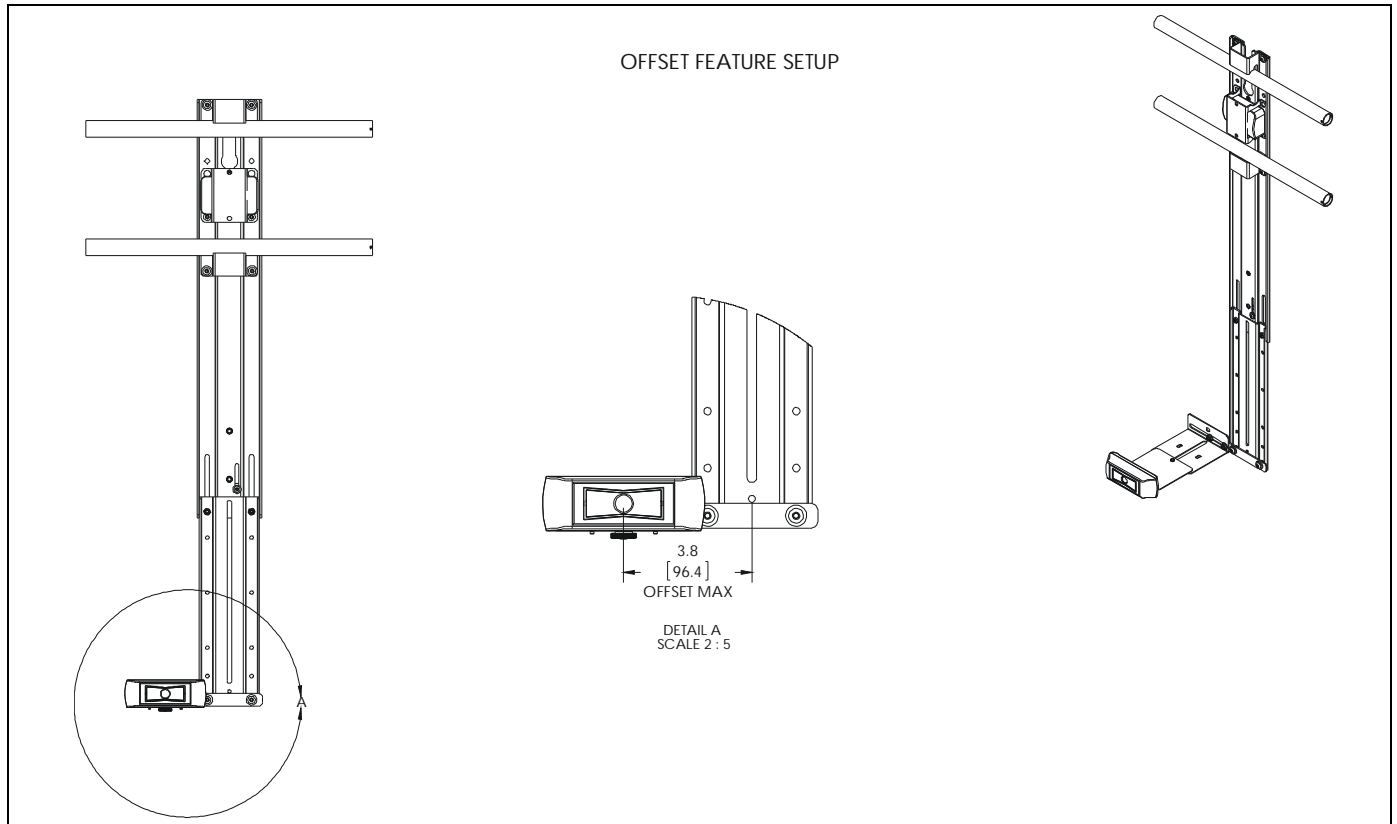
DIMENSIONS



DIMENSIONS (CONTINUED)



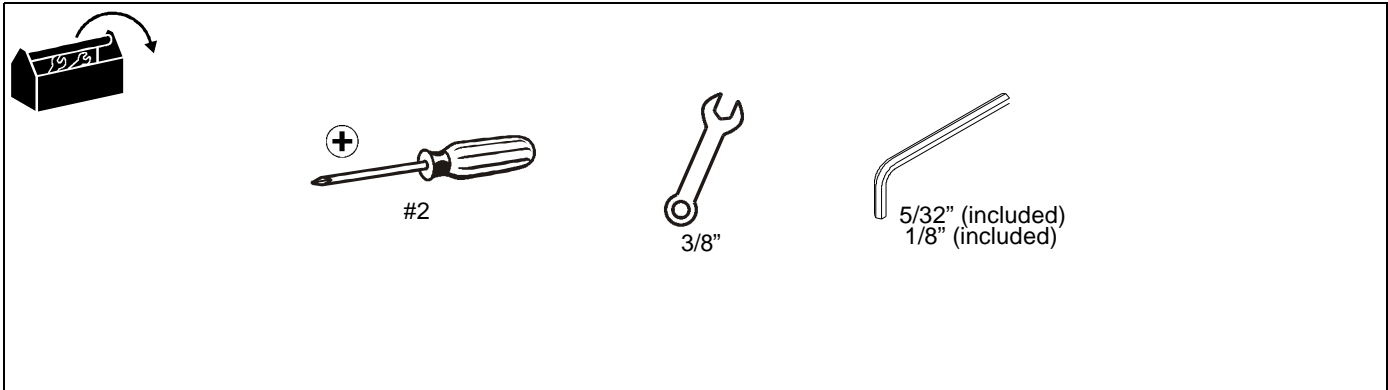
DIMENSIONS (CONTINUED)



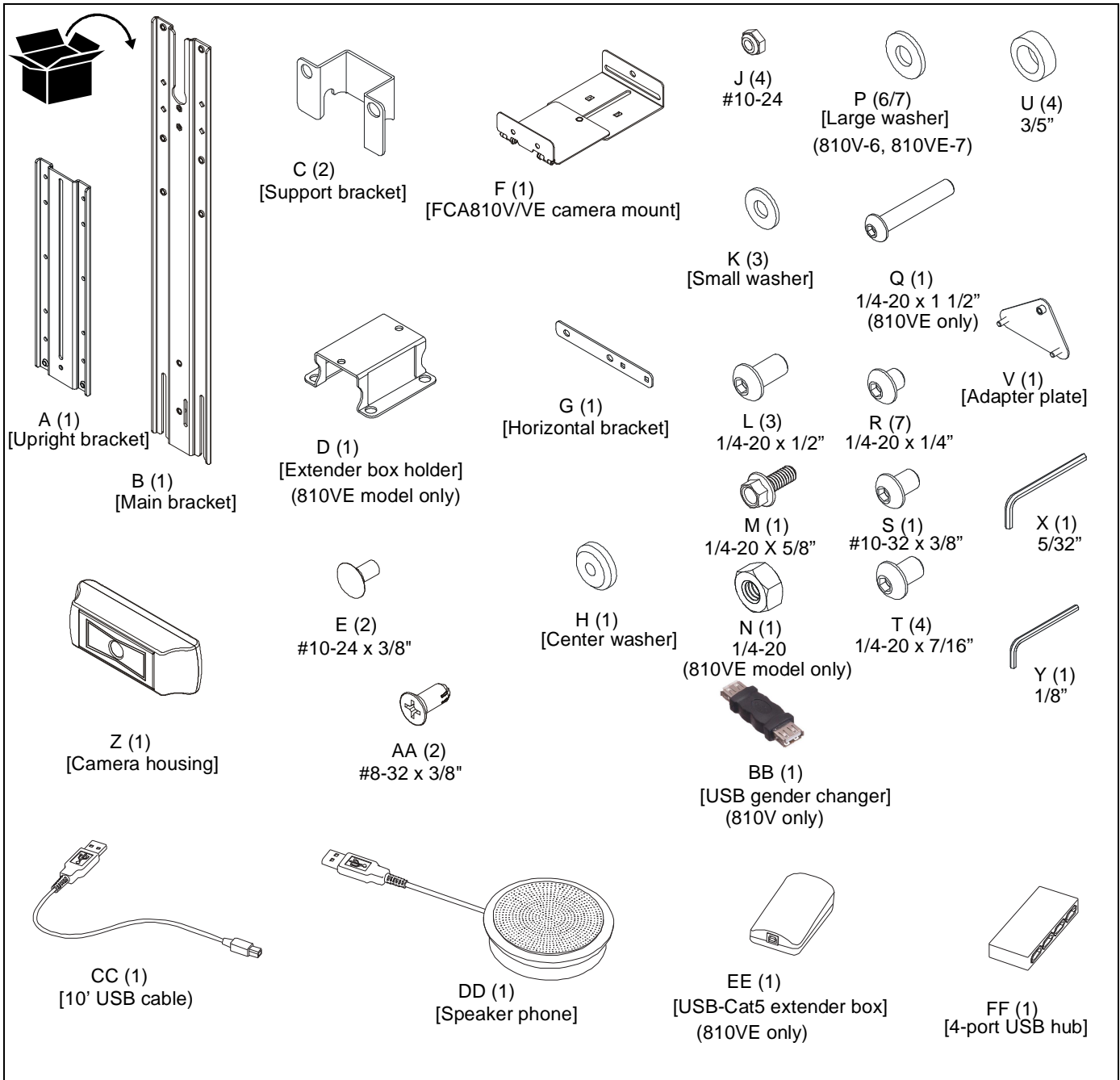
LEGEND

	Tighten Fastener
	Apretar elemento de fijación
	Befestigungsteil festziehen
	Apertar fixador
	Serrare il fissaggio
	Bevestiging vastdraaien
Serrez les fixations	
	Loosen Fastener
	Aflojar elemento de fijación
	Befestigungsteil lösen
	Desapertar fixador
	Allentare il fissaggio
	Bevestiging losdraaien
Desserrez les fixations	
	Hex-Head Wrench
	Llave de cabeza hexagonal
	Sechskantschlüssel
	Chave de cabeça sextavada
	Chiave esagonale
	Zeskantsleutel
Clé à tête hexagonale	
	Phillips Screwdriver
	Destornillador Phillips
	Kreuzschlitzschraubendreher
	Chave de fendas Phillips
	Cacciavite a stella
	Kruiskopschroevendraaier
Tournevis à pointe cruciforme	
	Open-Ended Wrench
	Llave de boca
	Gabelschlüssel
	Chave de bocas
	Chiave a punte aperte
	Steeksleutel
Clé à fourche	

TOOLS REQUIRED FOR INSTALLATION



PARTS



ASSEMBLY AND INSTALLATION

Below Installation

NOTE: FCA810V/VE camera mounts may be installed above or below displays. To install above display, proceed to "Above Installation" Section.

Assembling Camera Mount to Upright Bracket

1. Attach camera housing (Z) to camera mount (F) using two #8-32 x 3/8" Phillips flat head machine screws (AA). (See Figure 1)

IMPORTANT ! : Make sure straight slot on camera housing is pointing in the proper direction. (See Figure 1)

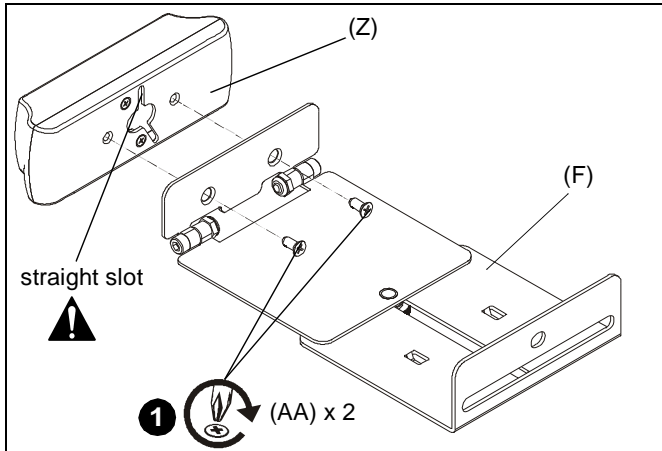


Figure 1

2. **(Standard to cart/ceiling)** Use three 1/4-20 x 1/2" button head cap screws (L) and two large washers (P) to secure camera mount (F) to upright bracket (A). (See Figure 2)

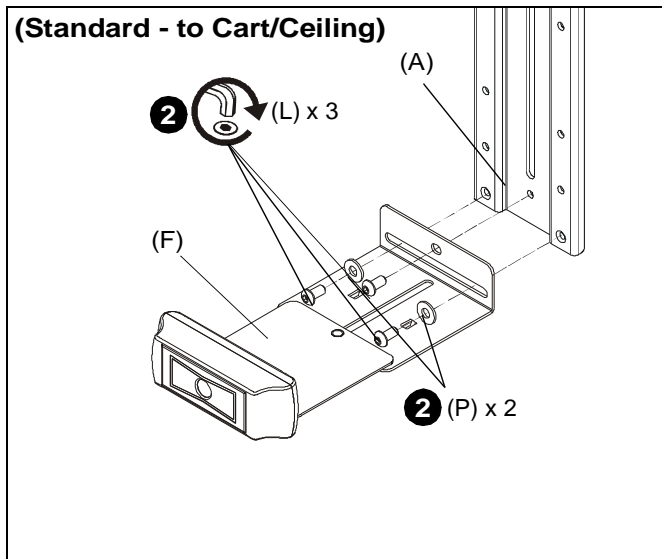


Figure 2

3. **(Standard to wall)** Use two 1/4-20 x 1/2" button head cap screws (L), two large washers (P) and one 1/4-20 x 1/4" button head cap screw (R) to secure camera mount (F) to upright bracket (A). (See Figure 3)

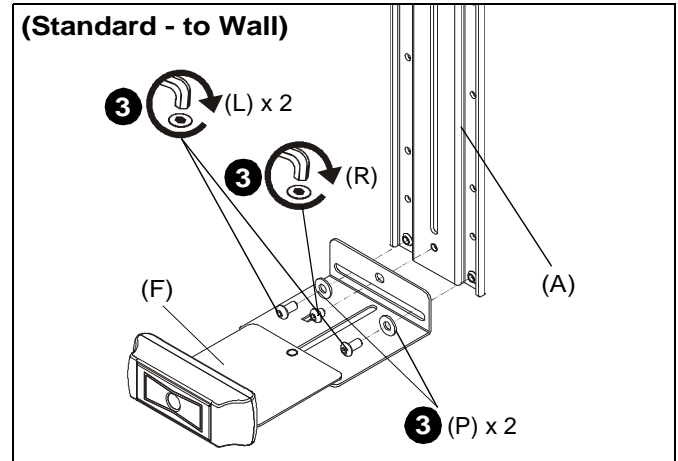


Figure 3

NOTE: If camera must be offset to one side or the other, attach camera mount (F) to upright bracket (A) as shown in Steps 4 and 5.

4. **(Offset)** Use two 1/4-20 x 1/2" button head cap screws (L) and two large washers (P) to secure horizontal bracket (G) to upright bracket (A). (See Figure 4)
5. **(Offset)** Use two #10-24 lock nuts (J), two small washers (K) and two round head carriage bolts (E) to secure camera mount (F) to horizontal bracket (G). (See Figure 4)

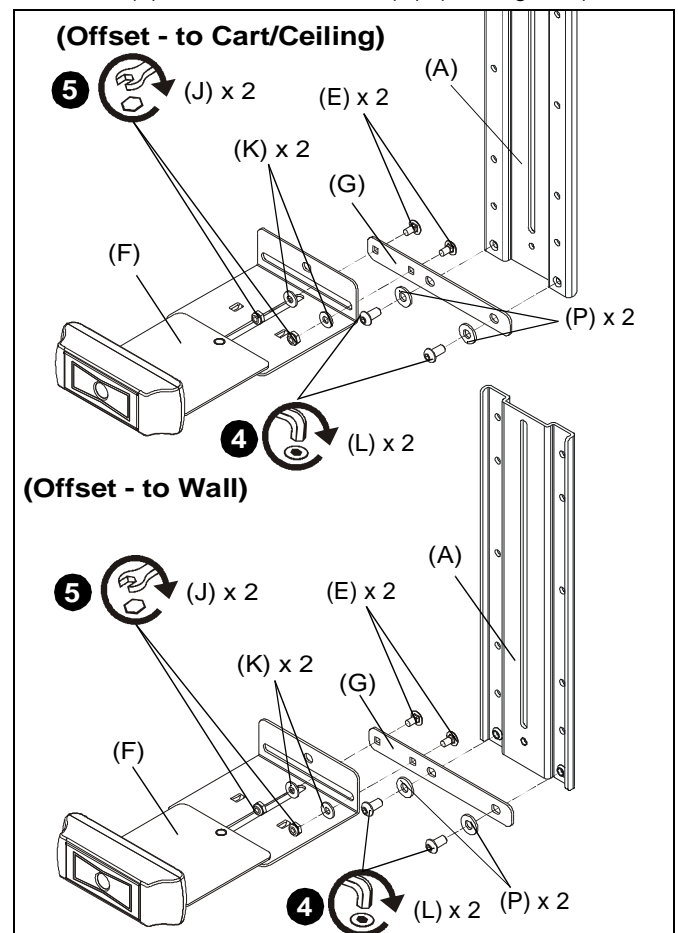


Figure 4

Attaching Accessory to Wall Mount

NOTE: If attaching to cart or ceiling mount, proceed to **Attach Accessory to Cart/Ceiling Section**.

1. Use two 1/4-20 x 1/4" button head cap screws (R) and two large washers (P) to secure support bracket (C) to main bracket (B). (See Figure 5)



CAUTION: Slide bracket with caution so that the bracket does not scratch or damage the wall!

2. Slide main bracket (B) behind wall mount rails until support bracket (C) rests on top of wall mount rail. (See Figure 5)

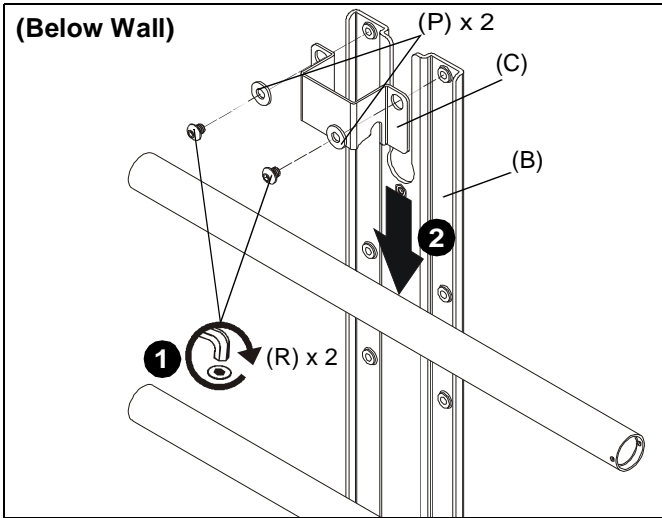


Figure 5

3. Slide second support bracket (C) underneath lower rail on wall mount, lining up holes on support bracket (C) to main bracket (B). (See Figure 6)
4. Use two 1/4-20 x 1/4" button head cap screws (R) and two large washers (P) to secure support bracket (C) to main bracket (B). (See Figure 6)

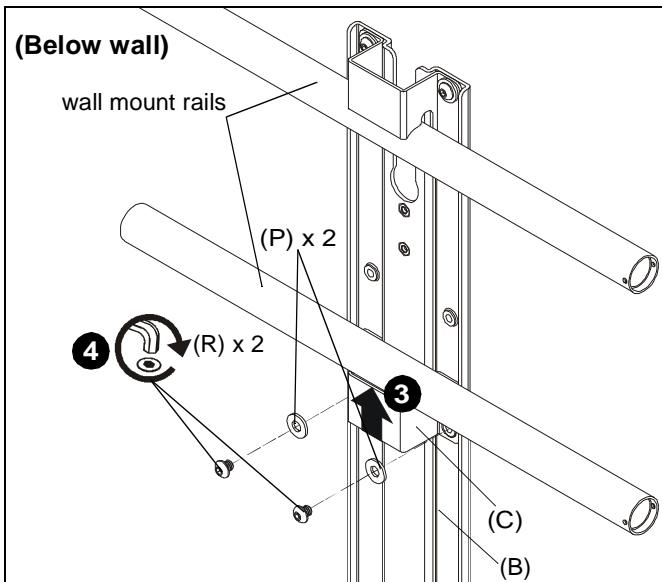


Figure 6

NOTE: Refer to Table 1 and dimension drawings on pages 3-4 to determine the extension level based on extension distance from mount center.

Table 1: Below Wall Mount

Extension distance from center of mount (in.)	
16.1-19.5	Minimum
19.5-27.7	Intermediate
27.7-29.1	Maximum

5. (For **maximum extension**) Use #10-32 x 3/8" button head cap screw (S) and small washer (K) to secure adapter plate (V) to main bracket (B). (See Figure 7)
6. (For **maximum extension**) Use two #10-24 lock nuts (J) to secure upright bracket (A) to main bracket (B) and adapter plate (V). (See Figure 7)

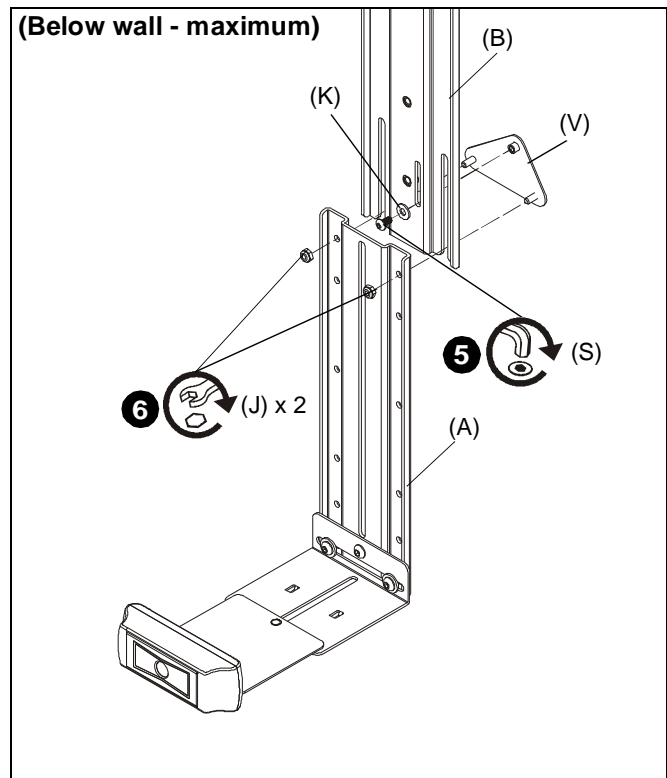


Figure 7

7. (For **minimum/intermediate extension**) Use two #10-24 lock nuts (J) to secure upright bracket (A) to main bracket (B) and adapter plate (V). (See Figure 8)

NOTE: Minimum configuration is shown below. Several intermediate configurations are possible depending on which holes are used.

8. (For **minimum/intermediate extension**) Use 1/4-20 x 5/8" hex head flange bolt (M) and center washer (H) to secure upright bracket (A) to main bracket (B). (See Figure 8)

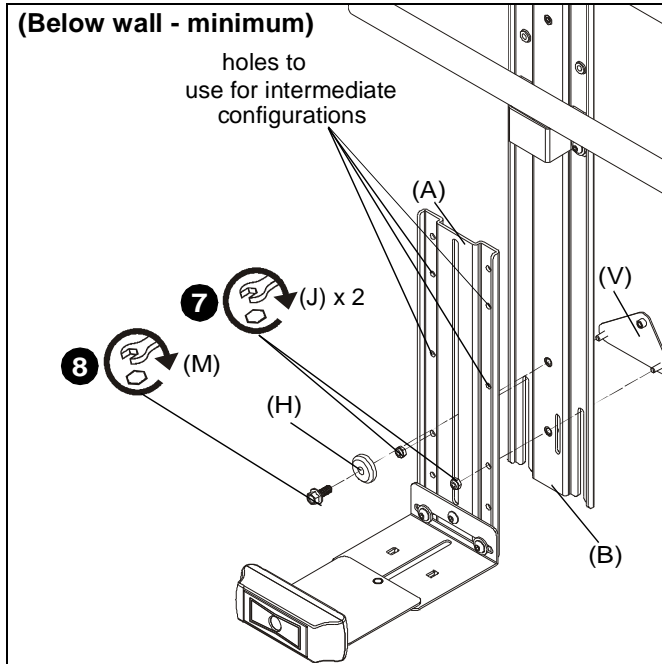


Figure 8

Attaching Accessory to Cart/Ceiling Mount

IMPORTANT ! : If installing to a 2x1 display cart using the FCA623 accessory, proceed to "Installing to FCA623 Accessory" Section (Step 6).

1. Use two 1/4-20 x 1/4" button head cap screws (R) and two large washers (P) to secure support bracket (C) to main bracket (B). (See Figure 9)
2. Slide main bracket (B) onto front of cart/ceiling mount head assembly until support bracket (C) rests on top of head assembly. (See Figure 9)

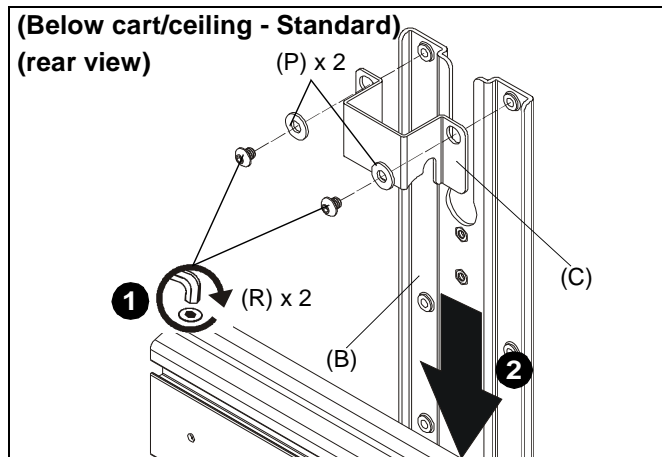


Figure 9

3. Slide second support bracket (C) underneath cart/ceiling mount head assembly, lining up holes on support bracket (C) to holes on main bracket (B). (See Figure 10)
4. Use two 1/4-20 x 1/4" button head cap screws (R) and two large washers (P) to secure support bracket (C) to main bracket (B). (See Figure 10)

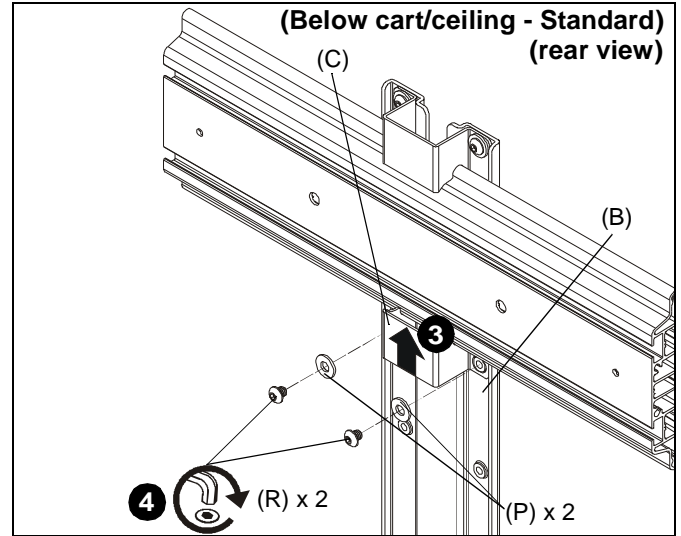


Figure 10

5. Proceed to Step 11.

Installing to FCA623 Accessory

IMPORTANT ! : Steps 6-10 only apply if installing to FCA623 accessory.

6. Use two 1/4-20 x 7/16" button head cap screws (T), two large washers (P) and two 3/5" spacers (U) to secure support bracket (C) to main bracket (B). (See Figure 11)
7. Slide main bracket (B) onto front of cart/ceiling mount head assembly until support bracket (C) rests on top of head assembly. (See Figure 11)

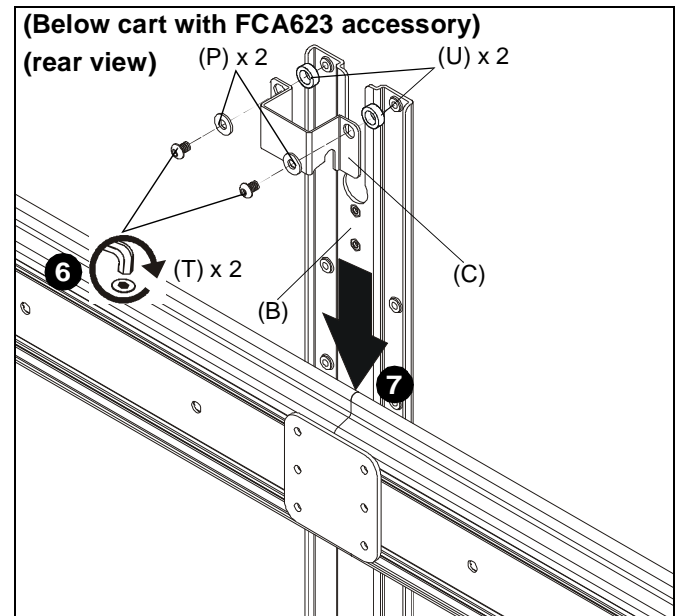


Figure 11

8. Slide second shelf bracket (C) underneath cart mount head assembly, lining up holes on support bracket (C) to holes on main bracket (B). (See Figure 12)
9. Slide two 3/5" spacers (U) in between support bracket (C) and main bracket (B). (See Figure 12)
10. Use two 1/4-20 x 7/16" button head cap screws (T) and two large washers (P) to secure shelf bracket (C) to main bracket (B). (See Figure 12)

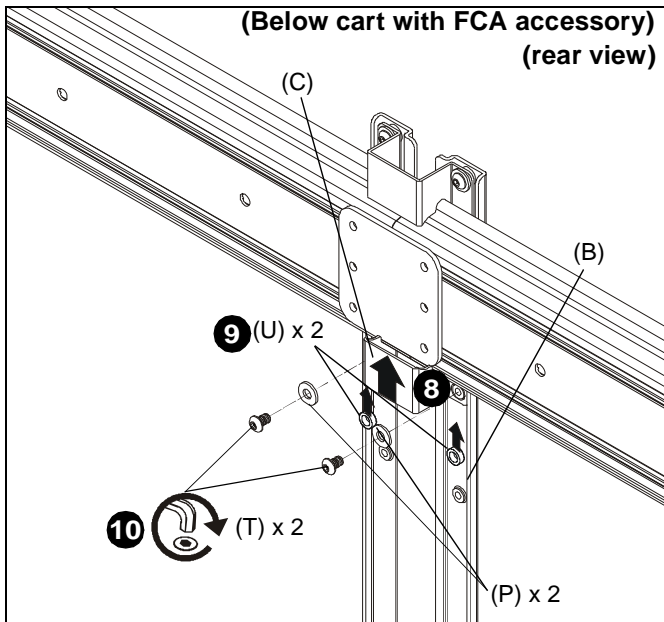


Figure 12

NOTE: Refer to Table 2 and dimension drawings on pages 3-4 to determine the extension level based on extension distance from mount center.

Table 2: Below Cart/Ceiling Mount

Extension distance from center of mount (in.)	
16.4-19.8	Minimum
19.8-29.4	Intermediate
29.4-30.8	Maximum

11. (For **maximum extension**) Use #10-32 x 3/8" button head cap screw (S) and small washer (K) to secure adapter plate (V) to main bracket (B). (See Figure 13)
12. (For **maximum extension**) Use two #10-24 lock nuts (J) to secure upright bracket (A) to main bracket (B) and adapter plate (V). (See Figure 13)

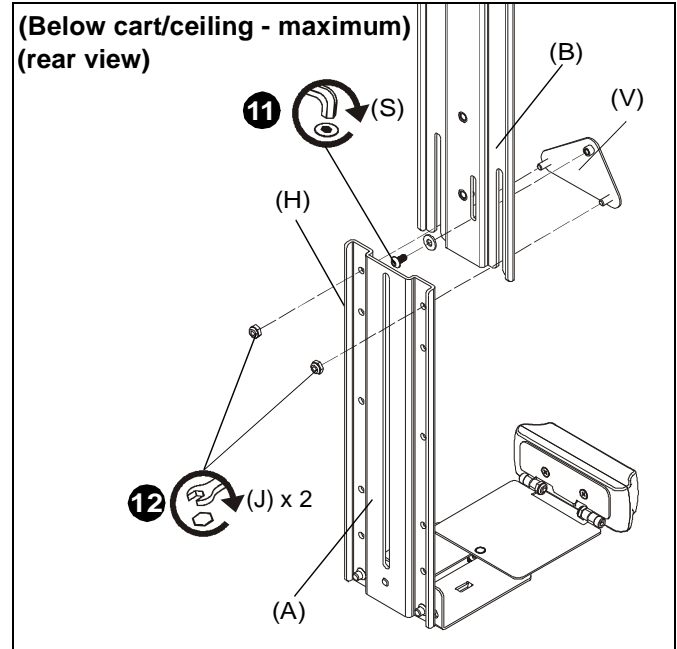


Figure 13

13. (For **Intermediate extension**) Use 1/4-20 x 5/8" hex head flange bolt (M) and center washer (H) to secure upright bracket (A) to main bracket (B). (See Figure 14)
14. (For **Intermediate extension**) Use two #10-24 lock nuts (J) to secure upright bracket (A) to main bracket (B) and adapter plate (V). (See Figure 14)

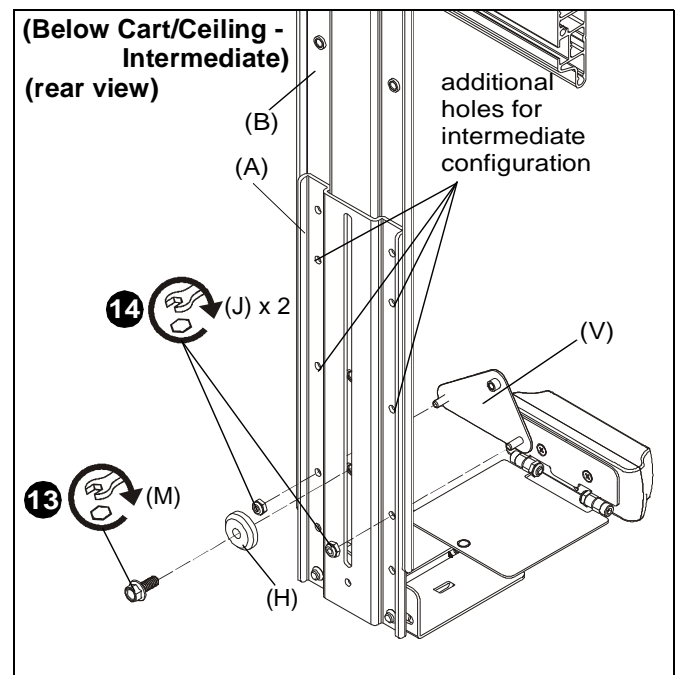


Figure 14

NOTE: For minimum extension on the FCA810VE model, the extender box holder (D) may be installed as part of the installation of the camera mount to the main bracket. Skip Step 16 if mounting the FCA810VE to minimum extension and installing the extender box holder (D).

15. (For **minimum extension**) Slide upright bracket (A) behind main bracket (B). (See Figure 15)
16. (For **minimum extension - 810V or VE**) Use 1/4-20 x 5/8" hex head flange bolt (M) and center washer (H) to secure upright bracket (A) to main bracket (B). (See Figure 15)

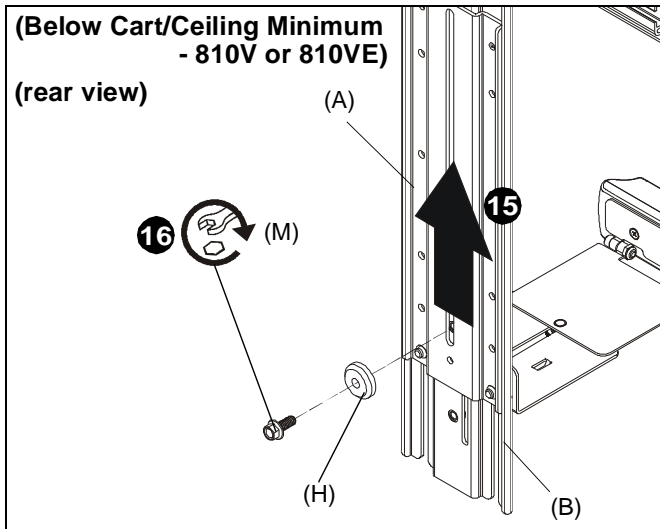


Figure 15

17. (For **minimum extension - 810VE only**) Use 1/4-20 x 1 1/2" button head cap screw (Q) and 1/4-20 hex nut (N) and large washer (P) to extender box holder (D) and upright bracket (A) to main bracket (B). (See Figure 16)
18. (For **minimum extension - 810VE only**) Tighten 1/4-20 hex nut (N) to fully secure upright bracket (A) to main bracket (B). (See Figure 16)

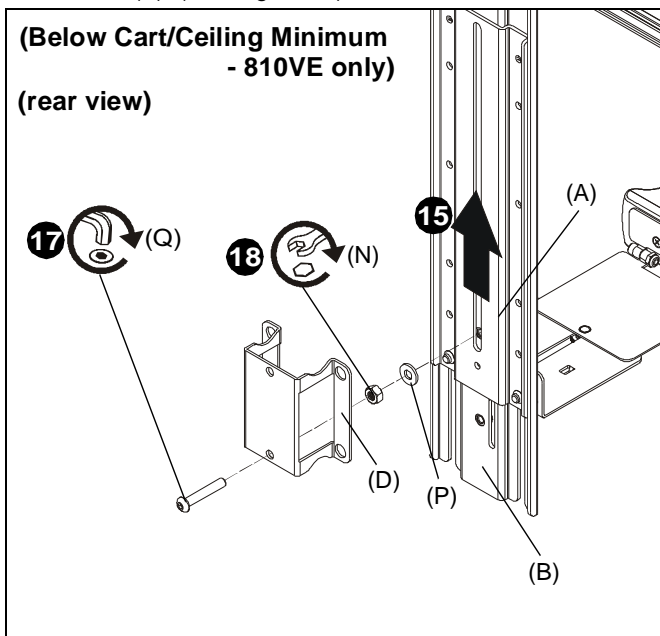


Figure 16

Above Installation

Assembling Camera Mount to Upright Bracket

1. Attach camera housing (Z) to camera mount (F) using two #8-32 x 3/8" Phillips flat head machine screws (AA). (See Figure 17)

IMPORTANT ! : Make sure straight slot on camera housing is pointing in the proper direction. (See Figure 17)

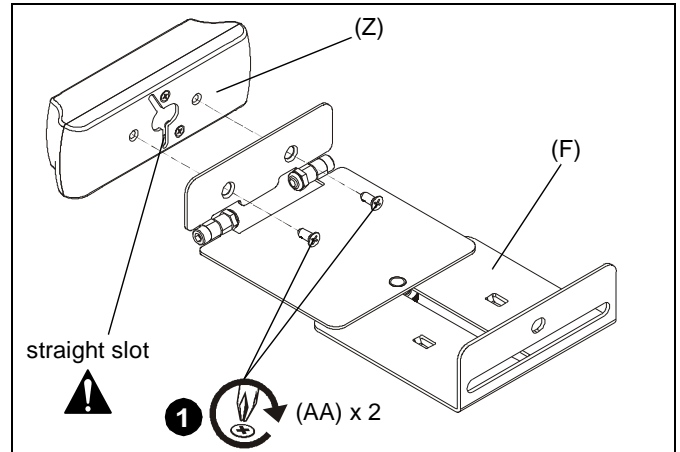


Figure 17

2. (**Standard to cart/ceiling**) Use three 1/4-20 x 1/2" button head cap screws (L) and two large washers (P) to secure camera mount (F) to upright bracket (A). (See Figure 18)

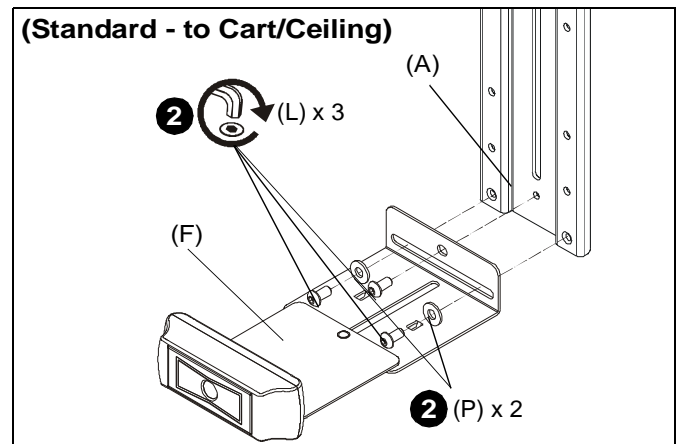


Figure 18

3. **(Standard to wall)** Use two 1/4-20 x 1/2" button head cap screws (L), two large washers (P) and one 1/4-20 x 1/4" button head cap screw (R) to secure camera mount (F) to upright bracket (A). (See Figure 19)

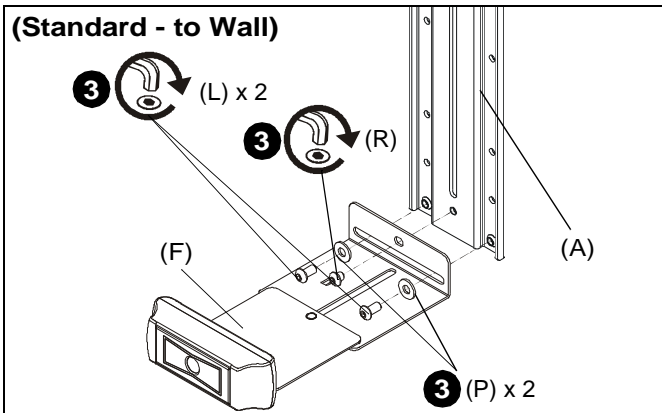


Figure 19

NOTE: If camera must be offset to one side or the other, attach camera mount to upright bracket as shown in Steps 4 and 5.

4. **(Offset)** Use two 1/4-20 x 1/2" button head cap screws (L) and two large washers (P) to secure horizontal bracket (G) to upright bracket (A). (See Figure 20)
5. **(Offset)** Use two #10-24 lock nuts (J), two small washers (K) and two round head carriage bolts (E) to secure camera mount (F) to horizontal bracket (G). (See Figure 20)

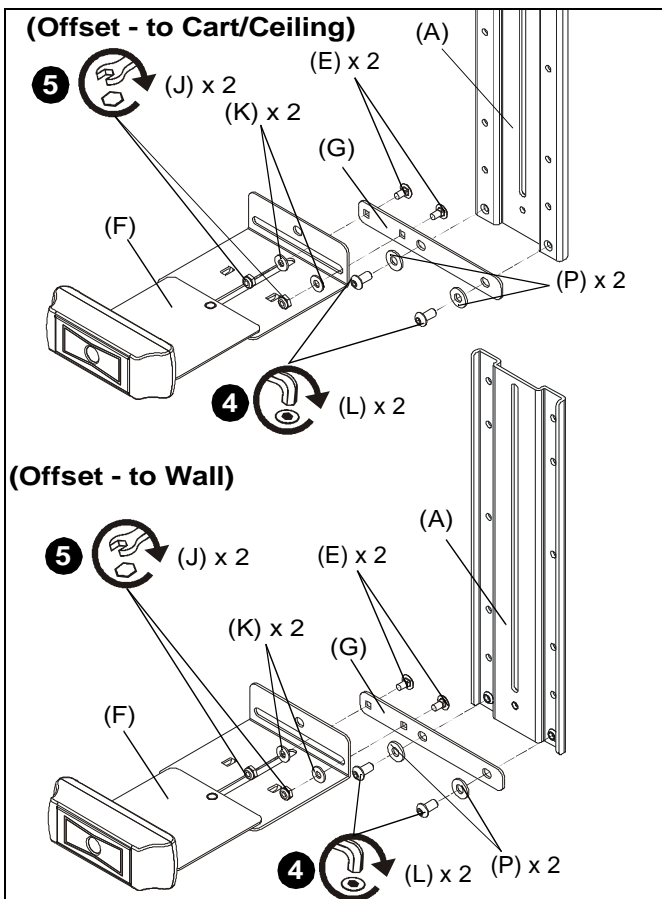


Figure 20

Attaching Accessory to Wall Mount

1. Use two 1/4-20 x 1/4" button head cap screws (R) and two large washers (P) to secure support bracket (C) to main bracket (B). (See Figure 21)



CAUTION: Slide bracket with caution so that the bracket does not scratch or damage the wall!

2. Slide main bracket (B) behind wall mount rails until support bracket (C) rests on top wall mount rail. (See Figure 21)

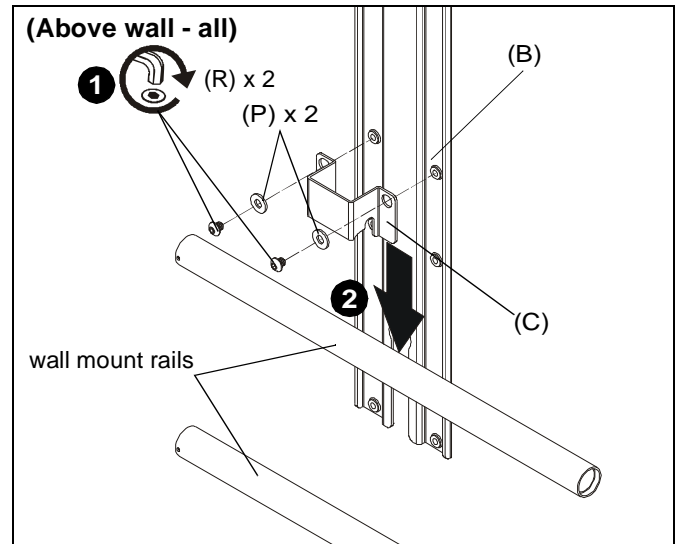


Figure 21

3. Slide second support bracket (C) underneath lower rail on wall mount, lining up holes on support bracket (C) to holes on main bracket (B). (See Figure 22)
4. Use two 1/4-20 x 1/4" button head cap screws (R) and two large washers (P) to secure support bracket (C) to main bracket (B). (See Figure 22)

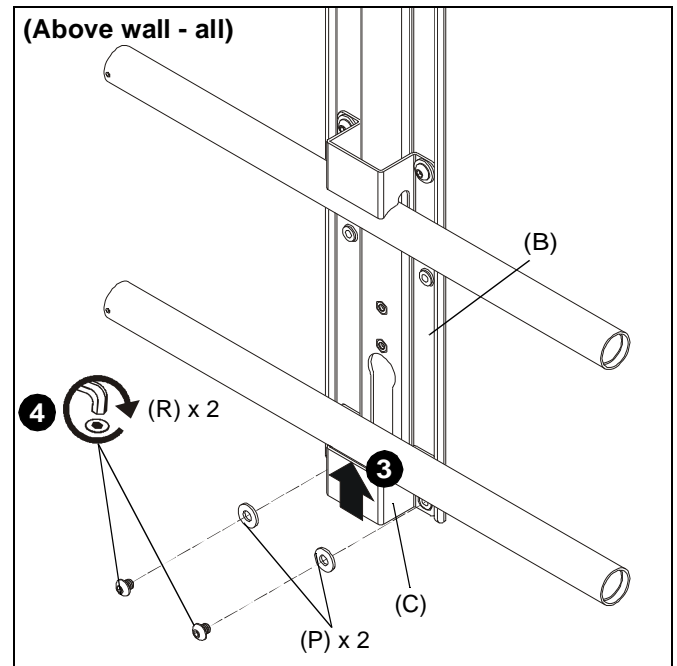


Figure 22

NOTE: Refer to Table 3 and dimension drawings on pages 3-4 to determine the extension level based on extension distance from mount center.

Table 3: Above Wall Mount

Extension distance from center of mount (in.)	
16.1-19.5	Minimum
19.5 - 27.7	Intermediate
27.7-29.1	Maximum

- (For **maximum extension**) Use #10-32 x 3/8" button head cap screw (S) and small washer (K) to secure adapter plate (V) to main bracket (B). (See Figure 23)
- (For **maximum extension**) Use two #10-24 lock nuts (J) to secure upright bracket (A) to main bracket (B) and adapter plate (V). (See Figure 23)

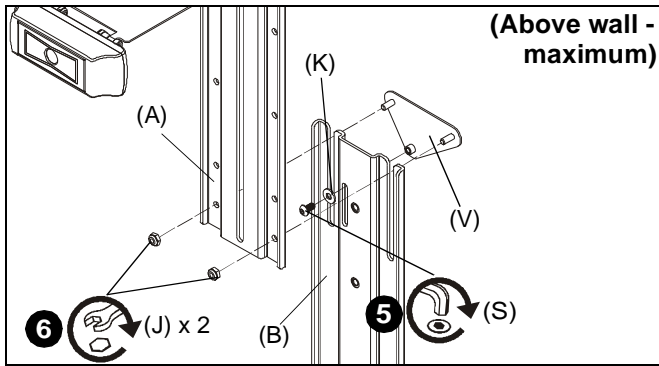


Figure 23

- (For **minimum/intermediate extension**) Use two #10-24 lock nuts (J) to secure upright bracket (A) to main bracket (B) and adapter plate (V). (See Figure 24)
- (For **minimum/intermediate extension**) Use 1/4-20 x 5/8" hex head flange bolt (M) and center washer (H) to secure upright bracket (A) to main bracket (B). (See Figure 24)

NOTE: Minimum configuration is shown below. Several intermediate configurations are possible depending on which holes are used.

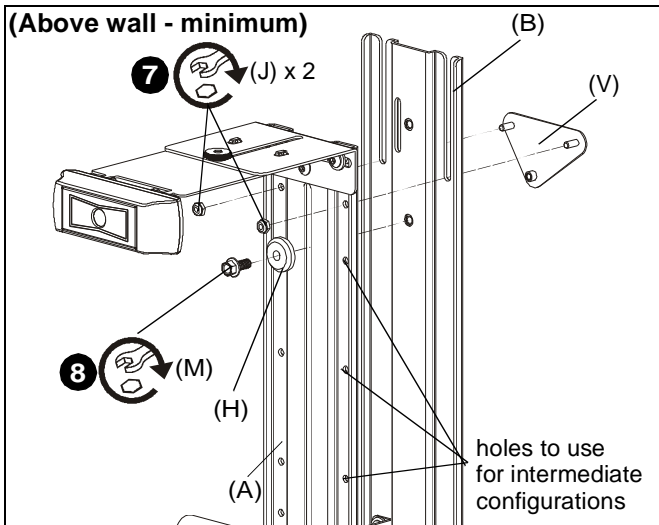


Figure 24

Attaching Accessory to Cart/Ceiling Mount

IMPORTANT ! : If installing to a 2x1 display cart using the FCA623 accessory, proceed to "Installing to FCA623 Accessory" Section (Step 6).

- Use two 1/4-20 x 1/4" button head cap screws (R) and two large washers (P) to secure support bracket (C) to main bracket (B). (See Figure 25)
- Slide main bracket (B) onto front of cart/ceiling mount head assembly until support bracket (C) rests on top of head assembly. (See Figure 25)

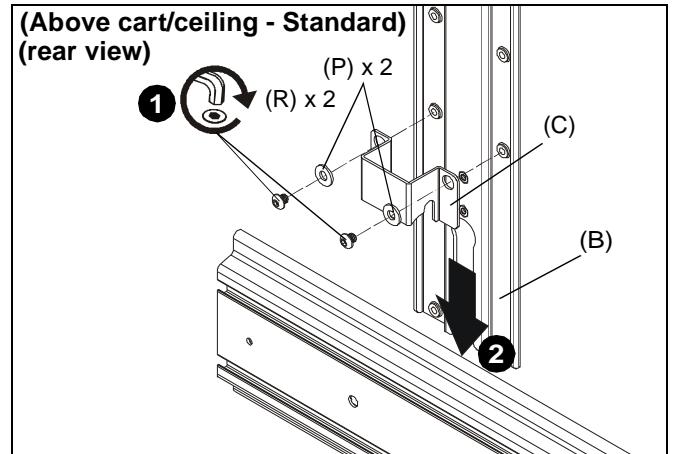


Figure 25

- Slide second support bracket (C) underneath cart/ceiling mount head assembly, lining up holes on support bracket (C) to holes on main bracket (B). (See Figure 26)
- Use two 1/4-20 x 1/4" button head cap screws (R) and two large washers (P) to secure support bracket (C) to main bracket (B). (See Figure 26)

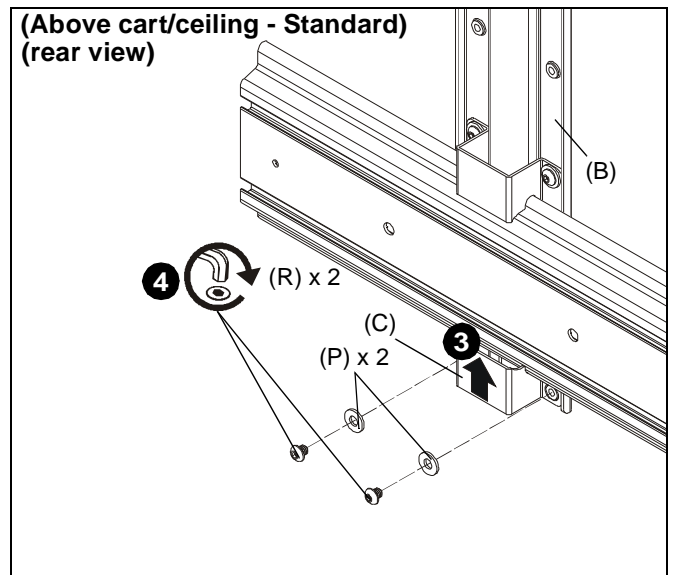


Figure 26

- Proceed to Step 11.

Installing to FCA623 Accessory

NOTE: Steps 6-10 only apply if installing to FCA623 accessory.

6. Use two 1/4-20 x 7/16" button head cap screws (T), two large washers (P) and two 3/5" spacers (U) to secure support bracket (C) to main bracket (B). (See Figure 27)
7. Slide main bracket (B) onto front of cart mount head assembly until support bracket (C) rests on top of head assembly. (See Figure 27)

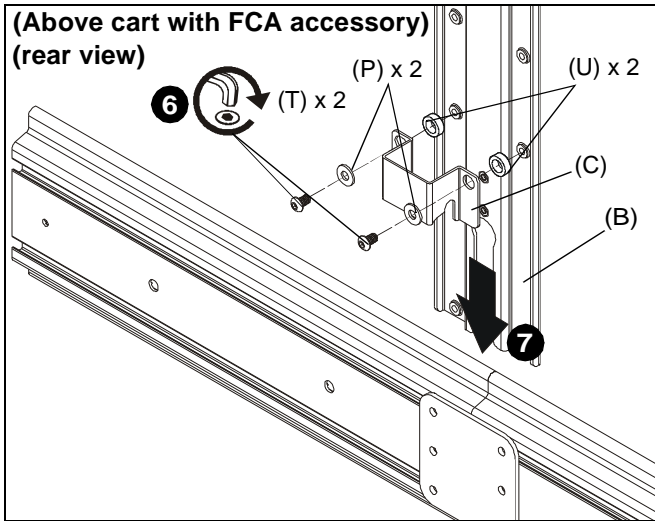


Figure 27

8. Slide second support bracket (C) underneath cart mount head assembly, lining up holes on support bracket (C) to holes on main bracket (B). (See Figure 28)
9. Slide two 3/5" spacers (U) in between support bracket (C) and main bracket (B). (See Figure 28)
10. Use two 1/4-20 x 7/16" button head cap screws (T) and two large washers (P) to secure support bracket (C) to main bracket (B). (See Figure 28)

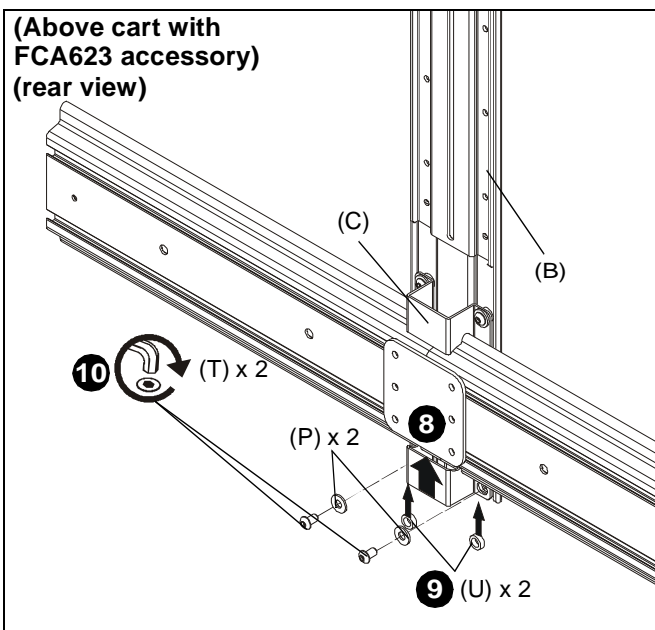


Figure 28

NOTE: Refer to Table 4 and dimension drawings on pages 3-4 to determine the extension level based on extension distance from mount center.

Table 4: Above Cart/Ceiling

Extension distance from center of mount (in.)	
16.4-19.8	Minimum
19.8-29.4	Intermediate
29.4-30.8	Maximum

11. (For maximum extension) Use two #10-24 lock nuts (J) to secure upright bracket (A) to main bracket (B) and adapter plate (V). (See Figure 29)
12. (For maximum extension) Use #10-32 x 3/8" button head cap screw (S) and small spacer (K) to secure upright bracket (A) to adapter plate (V). (See Figure 29)

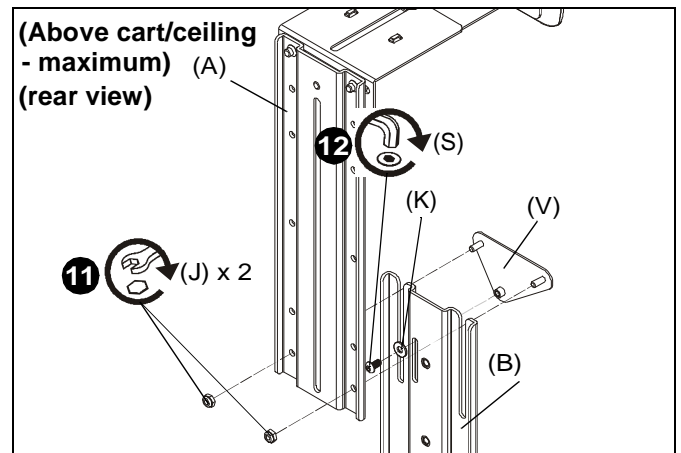


Figure 29

13. (For Intermediate extension) Use 1/4-20 x 5/8" hex head flange bolt (M) and center washer (H) to secure upright bracket (A) to main bracket (B). (See Figure 30)

14. (For Intermediate extension) Use two #10-24 lock nuts (J) to secure upright bracket (A) to main bracket (B) and adapter plate (V). (See Figure 30)

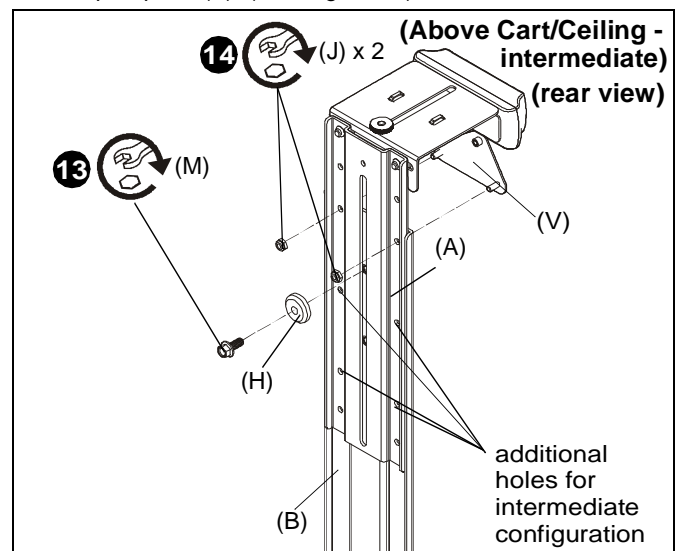


Figure 30

NOTE: For minimum extension on the FCA810VE model, the extender box holder (D) may be installed as part of the installation of the camera mount to the main bracket. Skip Step 16 if mounting the FCA810VE to minimum extension and installing the extender box holder (D).

15. (For **minimum extension**) Slide upright bracket (A) behind main bracket (B). (See Figure 31) or (See Figure 32)
16. (For **minimum extension - 810V or VE**) Use 1/4-20 x 5/8" hex head flange bolt (M) and center washer (H) to secure upright bracket (A) to main bracket (B). (See Figure 31)

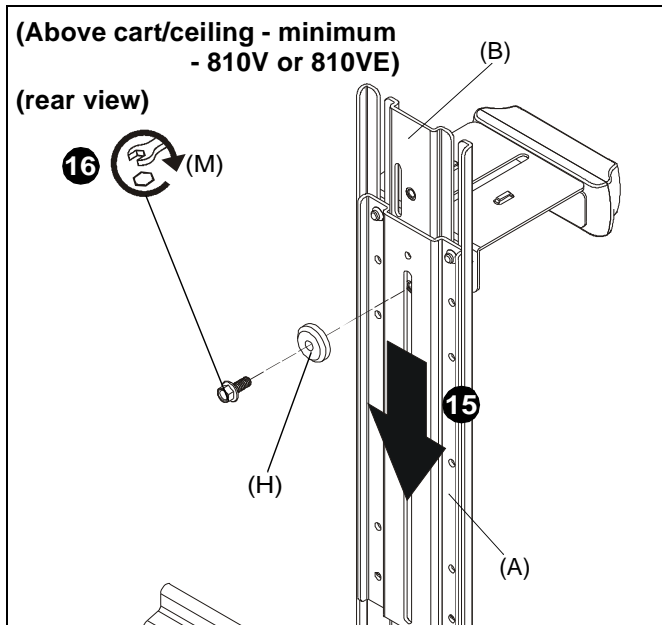


Figure 31

17. (For **minimum extension - 810VE only**) Use 1/4-20 x 1 1/2" button head cap screw (Q), 1/4-20 hex nut (N) and large washer (P) to secure extender box holder (D) and upright bracket (A) to main bracket (B). (See Figure 32)
18. (For **minimum extension - 810VE only**) Tighten 1/4-20 hex nut (N) to fully secure upright bracket (A) to main bracket (B). (See Figure 32)

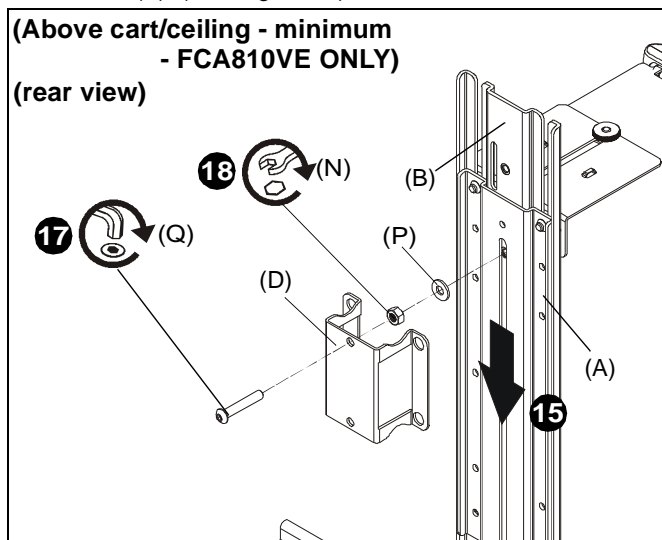


Figure 32

Extender Box Holder Attachment

NOTE: For cart/ceiling minimum height extension installations, extender box holder (D) was already installed as part of the shelf installation. Proceed to Viewshare Installation Section.

1. Use two 1/4-20 x 1/4" button head cap screws (R) to secure extender box holder (D) to main bracket (B) at the correct location depending on configuration.
 - To wall, in between mounting rails. (See Figure 33)
 - To cart/ceiling below, below head assembly. (See Figure 34)
 - To cart/ceiling above, above head assembly. (See Figure 34)

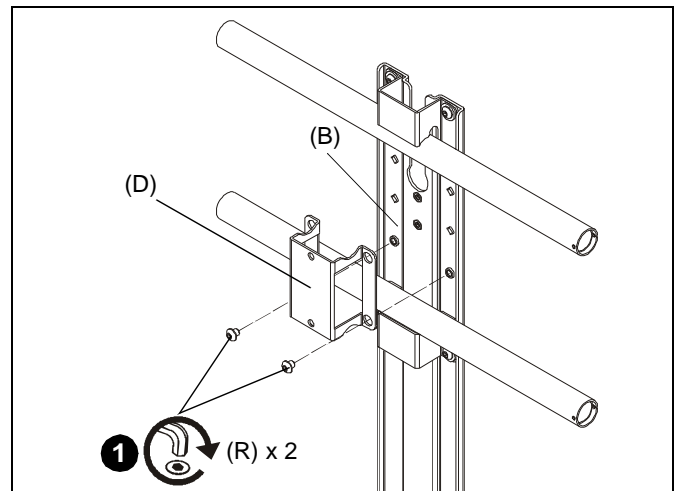


Figure 33

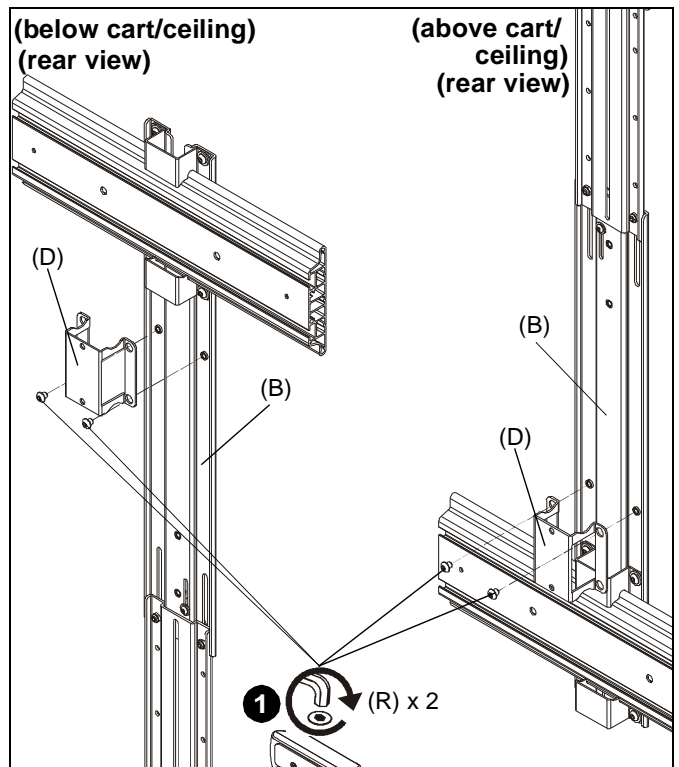


Figure 34

Viewshare Installation

NOTE: Refer to milestone.com for the latest software compatibility requirements.

FCA810V

1. Connect camera to USB gender changer (BB) using USB cable supplied with camera. (See Figure 35)
2. Connect USB gender changer (BB) to 4-port USB hub (FF) using 10' USB cable (CC). (See Figure 35)
3. Connect speaker phone (DD) to 4-port USB hub (FF) using USB cable supplied with speaker phone. (See Figure 35)
4. Plug in 4-port USB hub (FF) to power source. (See Figure 35)
5. Connect 4-port USB hub (FF) to computer using USB cable included with hub. (See Figure 35)
6. Connect computer to display or projector. (See Figure 35)
7. Verify the correct audio and video sources are selected in computer's settings (PC) or preferences (Mac). The camera will show up as "Logitech Webcam C930e."
8. Download latest version of Skype or comparable video conferencing application.

FCA810VE

1. Connect camera to USB extender box (EE) using USB cable supplied with camera. (See Figure 35)
2. Connect USB extender box (EE) to second USB extender box using CAT5 cable (not included). (See Figure 35)
3. Connect second USB extender box to 4-port USB hub (FF) using USB cable (CC). (See Figure 35)
4. Connect speaker phone (DD) to 4-port USB hub (FF) using USB cable supplied with speaker phone (DD). (See Figure 35)
5. Plug in 4-port USB hub (FF) to power source. (See Figure 35)
6. Connect 4-port USB hub (FF) to computer using USB cable included with hub. (See Figure 35)
7. Connect computer to display or projector. (See Figure 35)
8. Verify the correct audio and video sources are selected in computer's settings (PC) or preferences (Mac). The camera will show up as "Logitech Webcam C930e."
9. Download latest version of Skype or comparable video conferencing application.

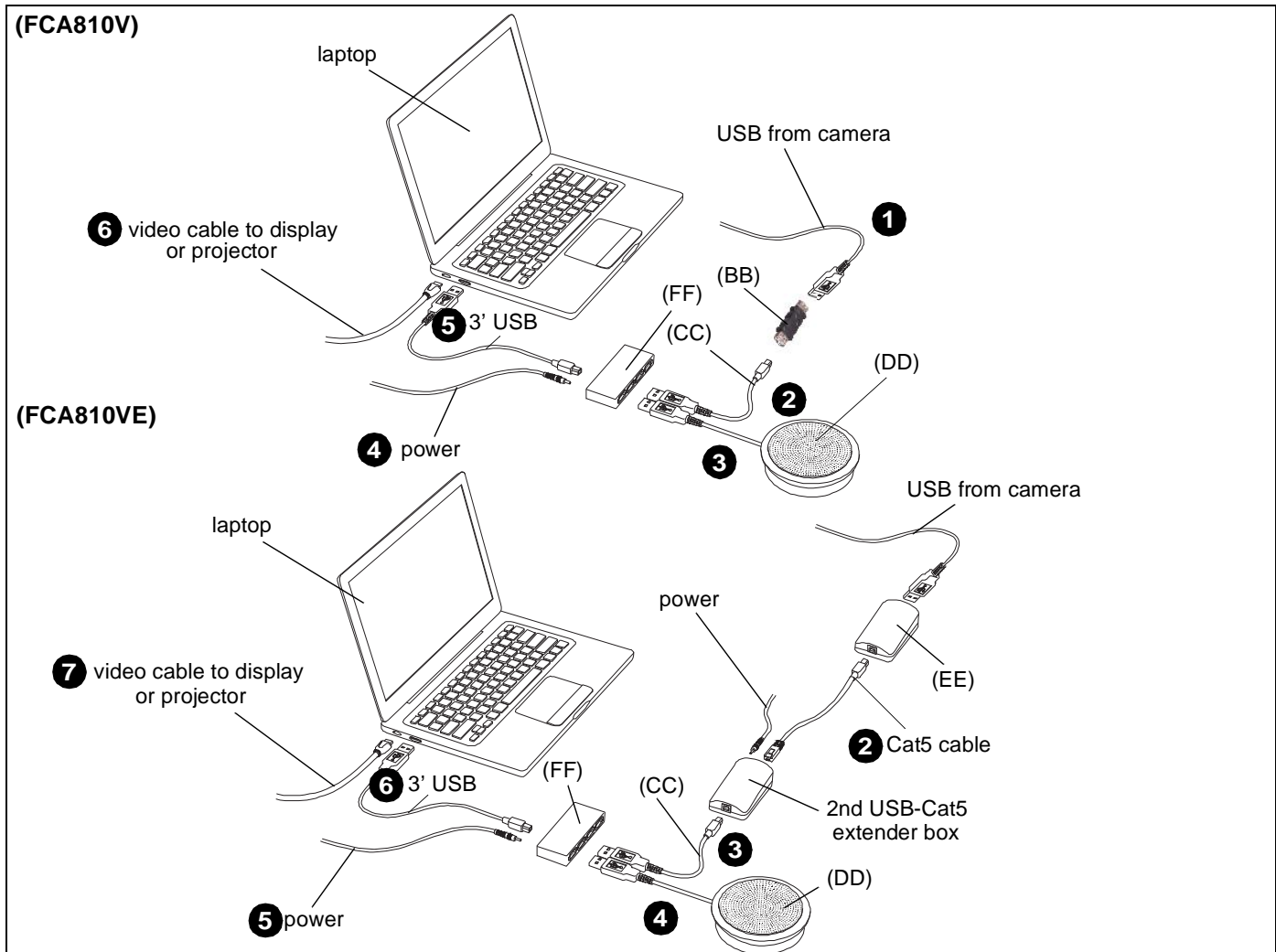


Figure 35

Height Adjustment

1. Loosen hardware used to attach main bracket (B) to upright bracket (A). (See Figure 36)
2. Adjust shelf height as desired. (See Figure 36)

NOTE: For all above display installations, it is recommended that the shelf be positioned so that it rests on top of display to help ensure an even mount.

3. Tighten hardware used to attached main bracket (B) to upright bracket (A). (See Figure 36)

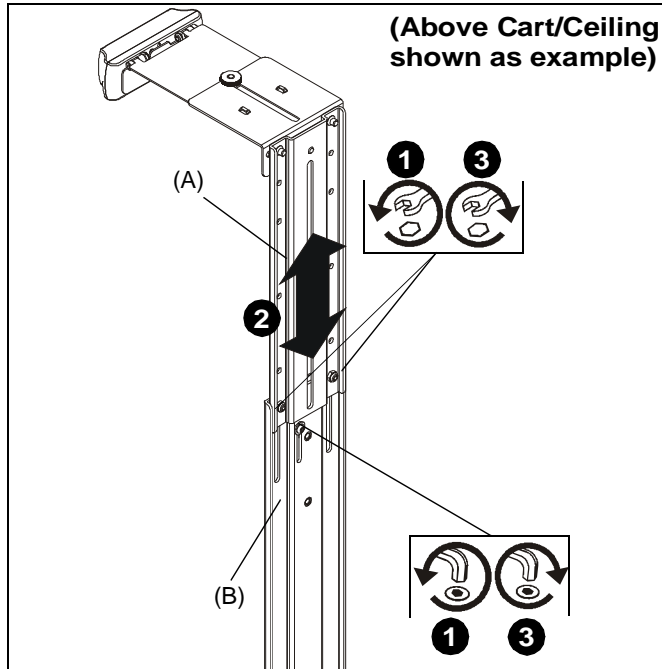


Figure 36

Extension and Swivel Adjustment

1. Loosen extension adjustment screw. (See Figure 37)
2. Adjust to desired extension length. (See Figure 37)
3. Tighten extension adjustment screw. (See Figure 37)

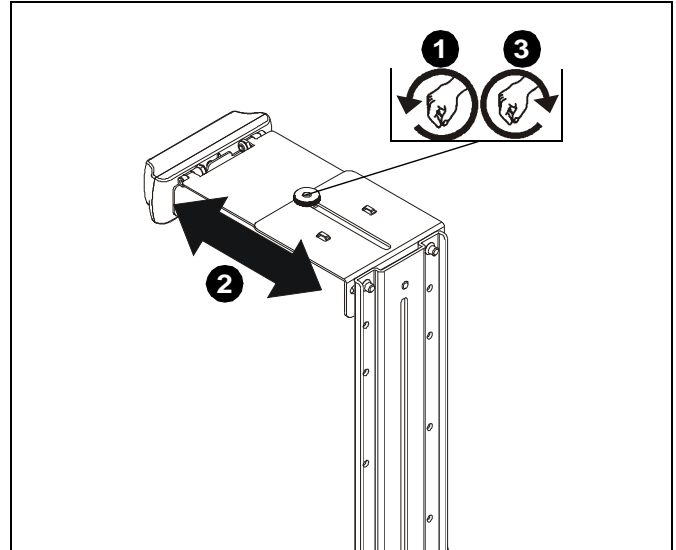


Figure 37



Our Mounts. **Your Vision.**

Chief, a products division of
Milestone AV Technologies

8800-002734 Rev00
©2015 Milestone AV Technologies
www.chiefmfg.com
08/15

USA/International	A 6436 City West Parkway, Eden Prairie, MN 55344
	P 800.582.6480 / 952.225.6000
	F 877.894.6918 / 952.894.6918
Europe	A Franklinstraat 14, 6003 DK Weert, Netherlands
	P +31 (0) 495 580 852
	F +31 (0) 495 580 845
Asia Pacific	A Office No. 918 on 9/F, Shatin Galleria 18-24 Shan Mei Street Fotan, Shatin, Hong Kong
	P 852 2145 4099
	F 852 2145 4477

